



CEA30006

### Hand Crank Cable Welding Reels Series CEA

- Designed to improve safety in the work area with an increase in efficiency and productivity
- Welding cable reels store work lead or electrode lead, up to #2/0, safely and effectively when not in use. Each lead requires a separate reel. When welding also refer to ANSI/Asc Z 49.1
- Cable reels have a current path through a continuous 400 AMP, 90V DC (maximum) rated enclosed slip ring
- Stores cable when not in use, eliminating tangled, kinked welding cables
- Maintains proper bend radius of cables, providing longer cable life
- Keeps work area and vehicles better organized, resulting in better space utilization



WC80000

Shown with electrode, clamp and cable (not included)



WC7000

### Spring Retractable Cable Welding Reels Series WC

Made in USA

#### FEATURES

- ✓ All-bolted heavy gauge steel construction provides long life and ease of use and maintenance.
- ✓ Manual drum lock prevents spool from turning when not in use preventing unwanted pay out of cable.

#### APPLICATIONS

- Steel Mills and Foundries
- Metal Working and fabrication
- Auto / Truck Service
- Power Generation and transmission
- Agricultural
- Railroads
- Mining (above ground)

#### Caution:

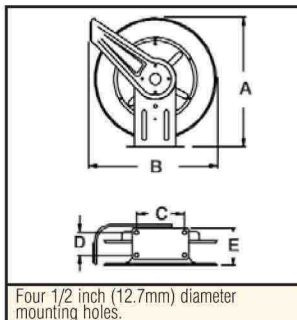
If cable reels are to be used for extended periods of time, unwind all cable from reel to prevent heat build-up. For indoor non weather-tight applications only.

#### SPECIFICATIONS

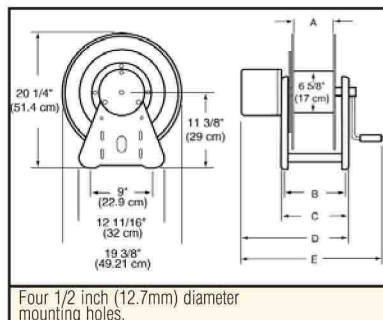
These reels are all sold without cable

MODEL	REEL CAPACITY				WEIGHT				
	#2 (31mm <sup>2</sup> )		#1 (39mm <sup>2</sup> )				#1/0 (50mm <sup>2</sup> )		#2/0 (62mm <sup>2</sup> )
CABLE SIZE	ft / m		ft / m		ft / m		ft / m		lbs / kg
CEA30006	300	91	250	76	200	61	150	46	49 22
CEA30012	500*	152	500*	152	400	122	300	91	56 25
WC7000	—		50	15	50	15	50	15	49 22
WC80001	—		75	23	75	23	75	23	80 36
WC80002	—		100	30	—		—		81 37

\*May exceed maximum cable length allowable for most welding applications  
NOTE: Each cable requires separate reel.



WC DIMENSIONS				
	WC7000		WC80000	
	in / mm		in / mm	
A	20 1/4	514	25 3/8	645
B	19	483	24	610
C	7 7/8	200	10	254
D	3 7/8	98	6	152
E	14 3/4	375	16	406



CEA DIMENSIONS				
	CEA30006		CEA30012	
	in / mm		in / mm	
A	6	152	12	305
B	9.75	248	15.75	400
C	11	279	17	432
D	15	381	21	533
E	21	533	27	686