

# Heavy Duty Cord Reels Series 30000

## Heavy Duty Cord and Cable Storage Reels

### Hand Crank, Bevel Crank & Motor Driven

Keep long lengths of expensive electrical cord off the ground and out of harm's way with Reelcraft's expanded Series 30000 line, which includes cable storage reels and live power cord. The reels are designed to handle long lengths of 10/3, 12/3 and 16/3 cable.

Reelcraft's Series 30000 storage reels and live power cord reels are constructed of heavy gauge steel and are assembled with vibration-proof, self-locking fasteners to ensure assembly integrity. They undergo a five-stage cleaning process and are individually powder-coated for the highest quality, corrosion-resistant paint adhesion. Suited for indoor, non weather-tight applications only.

### Cord/Cable Storage Reels

Cord and cable storage reels are used for storage, unwinding, and winding of conductive cord/cable. The reel is not intended to be live and the power source must be disconnected while reeling/de-reeling to avoid twisting the wires. Series 30000 cable storage reels are available in hand crank only.

### Live Power Cord Reels

Live power cord reels have collector rings that allow the reel to wind/unwind the cord/cable with live current without twisting the wires. Live reels offer the advantage of using a reel as an effective piece of operating equipment rather than a simple device for the storage of cable or cord. Series 30000 live power cord reels are available in direct hand crank, bevel gear crank or electric motor-driven rewind.

**New!**



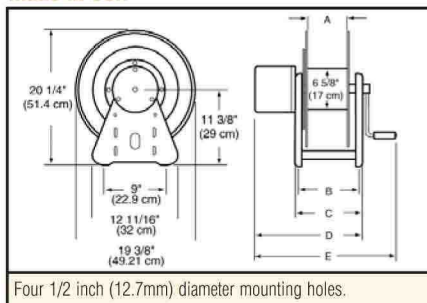
CA30112-CS  
Cable not included.

**New!**



LE312 123 12D

Made in USA



Four 1/2 inch (12.7mm) diameter mounting holes.

#### DIMENSIONS

	CA30106-CS		CA30112-CS		LB312 123 LB312 103		LC312 103 LC312 103		LE312 123 12D LE312 103 12D	
	in / mm		in / mm		in / mm		in / mm		in / mm	
<b>A</b>	6	152	12	305	12	305	12	305	12	305
<b>B</b>	9 3/4	248	15 3/4	400	15 3/4	400	15 3/4	400	15 3/4	400
<b>C</b>	11	279	17	432	17	432	17	432	17	432
<b>D</b>	N/A		N/A		23 3/4	603	23 3/4	603	23 3/4	603
<b>E</b>	19	483	25	635	29 1/4	743	29 3/8	746	25	635

#### SPECIFICATIONS

MODEL (without cable)	DRIVE TYPE	CORD SPECIFICATIONS				VOLTS	AMPS	WEIGHT		
		AWG / mm <sup>2</sup>	No. Cond	Length (SO) ft / m				lbs	kg	
<b>NEW</b> CA30106-CS*	Hand Crank	10	5.211	3	140	43	This reel is for cable only. Not intended to be live.	40	18	
		12	3.131	3	175	53				
		16	1.0524	3	425	130				
<b>NEW</b> CA30112-CS*	Hand Crank	10	5.211	3	280	86	This reel is for cable only. Not intended to be live.	46	21	
		12	3.131	3	350	106				
		16	1.0524	3	850	260				
<b>NEW</b> LB312 123	Bevel Crank	12	3.131	3	200	61	600	25	60	27
<b>NEW</b> LB312 103	Bevel Crank	10	5.211	3	200	61	600	30	60	27
<b>NEW</b> LC312 123	Hand Crank	12	3.131	3	200	61	600	25	50	23
<b>NEW</b> LC312 103	Hand Crank	10	5.211	3	200	61	600	30	50	23
<b>NEW</b> LE312 123 12D**	Motor Driven**	12	3.131	3	200	61	600	25	70	32
<b>NEW</b> LE312 103 12D**	Motor Driven**	10	5.211	3	200	61	600	30	70	32

NOTE: Cord must be fully unspooled before use. Actual fill capacities vary with cord O.D. and jacket type. Consult manufacturer for applications requiring cord types other than SO, SOW, or SJO. Reel suited for indoor, non-weather tight applications only. \*Power source must be disconnected while reeling/de-reeling. Through shaft on cable storage reels facilitates cable sizes up to .969" O.D. for other sizes, consult manufacturer. \*\*All motor driven models are 12 volt DC non-explosion proof. Other motor options available upon request.

HoseReelSales.com  
813-241-4900



Wind Things Up With Reelcraft™