



# Large Frame Reels Nordic™ Series 6000

## Heavy Duty Single Wrap Reels Petroleum / Aviation Fuel Service

1½", 2" or 3" Fluid Path for 1" through 3" I.D. Hose

**Rewind:** Chain and sprocket drive powered by A.C. or D.C. electric motor, compressed air motor or hydraulic motor.

**Inlet:** 2" victaulic is standard for 1" through 2" ID hose. 3" victaulic is standard for 2½" and 3" ID hose. 1½", 2" and 3" NPT or BSPP available. 90° Inlets available at no extra cost.

**Gooseneck:** 1½", 2" and 3" NPT or BSPP. Specify male or female threads for gooseneck.

**Brakes and locks:** Air operated caliper brake and idler assembly is standard. Manual friction brake optional.

**Materials:** Standard frame and spool assembly are of heavy duty steel construction. Also available in aluminum. The standard color for this series is red or gray.

**Operating pressure:** 300 PSI maximum. Reels to operate at other pressure ratings available at extra cost. Consult manufacturer.

**Operating temperatures:** Maximum 400°F (204°C) / minimum -40°F (-40°C). Reels that are to operate at other temperatures ratings are available at extra cost, consult manufacturer.

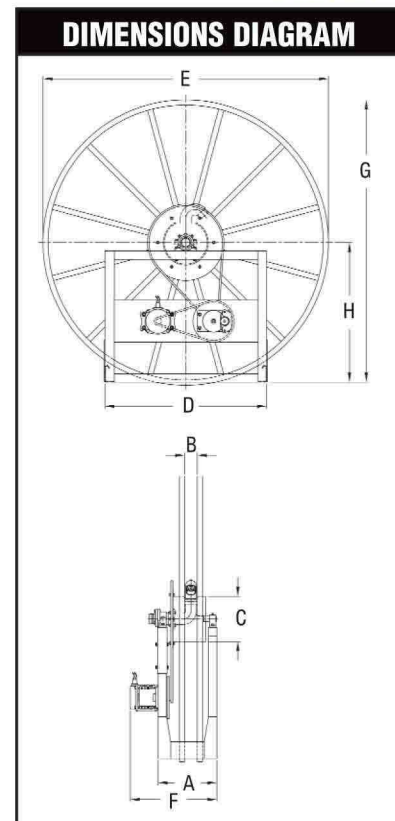


Made in USA

HOSE I.D.	in	1 3/8	1 1/2	2	2 1/2	3
	mm	35	38	51	64	76
HOSE O.D.	in	2.000	2.063	2.563	3.063	3.750
	mm	51	52	65	81	95

\*Drum diameter confirms to API 1529 Appendix A.

MODEL	HOSE LENGTH						DIMENSIONS				
							D	E	G	H	
6000-47	ft	55	50	30	25	20	in	38.5	47	48.5	25
	m	17	15	9	8	6	mm	978	1194	1232	635
6000-55	ft	80	75	50	40	35	in	38.5	55	55.75	28.25
	m	24	23	15	12	11	mm	978	1397	1416	718
6000-62	ft	100	100	70	50	50	in	38.5	62	62.75	31.75
	m	30	30	21	15	15	mm	978	1575	1594	806
6000-68	ft	125	120	85	70	60	in	38.5	68	68.75	34.75
	m	38	37	26	21	18	mm	978	1727	1746	883
6000-72	ft	150	140	100	80	70	in	38.5	72	72.75	36.75
	m	46	43	30	24	21	mm	978	1829	1848	933



DIMENSIONS									
Hose I.D.	Drum* Width	A		B		C		F	
		in	mm	in	mm	in	mm	in	mm
1 3/8"	2.5"	12	305	2.5	64	18	457	18.5	470
1 1/2"	2.5"	12	305	2.5	64	18	457	18.5	470
2"	3.5"	12	305	3.5	89	24	610	18.5	470
2 1/2"	3.5"	13	330	3.5	89	24	610	19.5	495
3"	4.5"	14	356	4.5	114	24	610	20.5	521

Refer to page 26 to build a complete model number.

HoseReelSales.com  
813-241-4900



**REELCRAFT**

Wind Things Up With Reelcraft™