

Modular Large Frame Reels

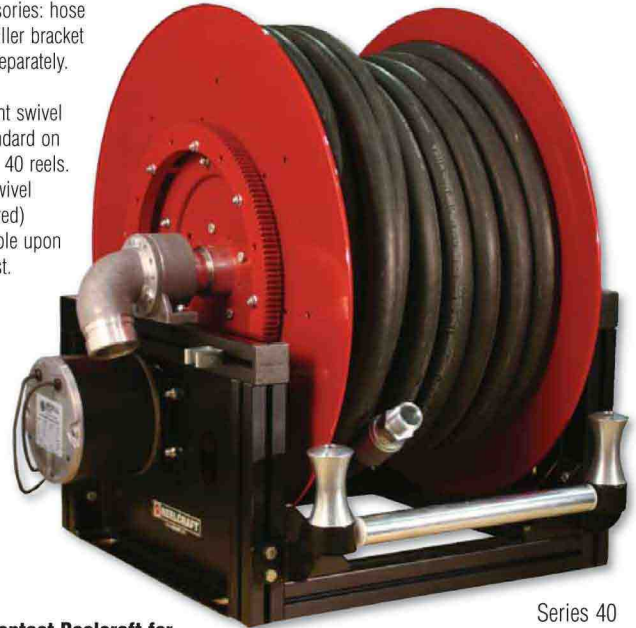
Series 40 - 1", 1¼", 1½" I.D

Flexible Configurations

- ✓ Standard straight ball bearing swivel joint with female NPT threads and 2" victaulic groove. 90° swivel available, no extra charge.
- ✓ Hand crank, bevel crank, gear and chain drives in chart.
- ✓ Also available as standard, explosion proof 12VDC, 115 AC, hydraulic and pneumatic motor.
- ✓ Powder coated steel flanges included, aluminum also available as standard.
- ✓ Open spool spacer allows for easy access to reversible goose neck and open spool design allows for hose flexing under pressure without spool distortion.
- ✓ Plumbing and motor shown on left side; however, any configuration is available as a standard order.
- ✓ Standard colors are powder coat red with black frame. Other colors available upon request.
- ✓ Max pressure: 600 psi. Standard seals maximum temperature 174° F (79° C) and minimum temperature -20° F (-29° C). Extreme temperature seals maximum temperature 400° F (204° C) and minimum temperature -50° F (-45° C).
- ✓ Chain/gear guard is a recommended option, sold separately.

Shown with optional accessories: hose and roller bracket sold separately.

Straight swivel is standard on Series 40 reels. 90° swivel (pictured) available upon request.



Series 40

Contact Reelcraft for guard, switch and roller brackets.

Also available in standard drive types:

Explosion proof
12VDC
24VDC
115VAC

Pneumatic Motor
Hydraulic Motor
Auxiliary Bevel Crank

Part Number Options 4□1131□□1LC

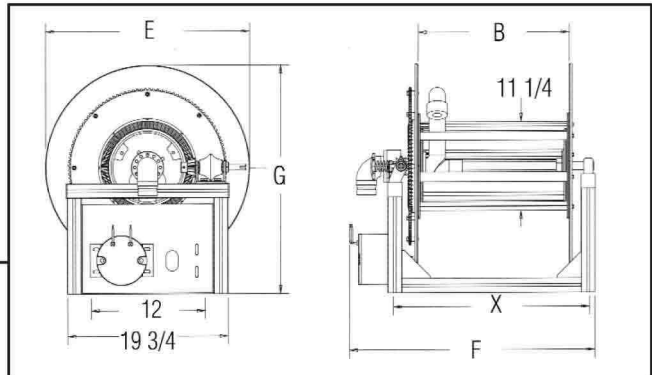
Hose ID:

- 1 = 1" hose
- 2 = 1¼" hose
- 3 = 1½" hose

Drive Type:

- CG = Hand Crank
- BG = Bevel Crank (only)
- DH = 12VDC, Gear Drive
- EH = 12VDC, Chain Drive

Made in USA



SPECIFICATIONS

HOSE CAPACITY	SERIES 41		SERIES 42		SERIES 43	
	in / mm		in / mm		in / mm	
HOSE I.D.	1 25	1¼ 32	1½ 38			
HOSE O.D.	1.563 40	1.813 46	2.063 52			

DIMENSIONS

KEY: Bevel = bevel crank Electric = electric motor

MODEL	HOSE LENGTH			B	E	F Bevel		F Electric		G	X
	ft / m	ft / m	ft / m			in / mm	in / mm	in / mm	in / mm		
A4□1131□□1LC	80 24	50 15	— —	13 330	21 533	23¾ 603	25¾ 654	24 610	18¾ 476		
A4□2081□□1LC	80 24	50 15	— —	8 203	25 635	17¾ 451	19¾ 502	26 660	13¾ 349		
A4□1171□□1LC	100 30	80 24	50 15	17 432	21 533	26¾ 679	28¾ 730	24 610	22¾ 578		
A4□2101□□1LC	100 30	80 24	50 15	10 254	25 635	19¾ 502	21¾ 552	26 660	15¾ 400		
A4□1321□□1LC	200 61	150 46	100 30	32 813	21 533	41¾ 1060	43¾ 1111	24 610	37¾ 959		
A4□2191□□1LC	200 61	150 46	100 30	19 483	25 635	28¾ 730	30¾ 781	26 660	24¾ 629		
A4□3131□□1LC	200 61	150 46	100 30	13 330	27 711	26¾ 679	28¾ 730	30 762	18¾ 476		
A4□3221□□1LC	325 99	250 76	200 61	22 559	27 711	31¾ 806	33¾ 857	29 737	27¾ 705		
A4□4171□□1LC	350 107	275 84	200 61	17 432	31 787	26¾ 679	28¾ 730	34 864	22¾ 578		

Verify application dimensions and weight requirements prior to ordering.

Installation Note: For the warranty to be valid, a flexible connector MUST be used between the swivel and the inlet piping.