

Spring Retractable, Hand Crank, Motor Driven

Air/Water - 1/4", 3/8", 1/2" I.D.

Compact design and quality steel construction are incorporated into Reelcraft's newest line of pressure wash reels, rated up to 4500 PSI. Series PW, H18006 and 30000 reels are able to carry 50 to 400 feet of tangle-free hose and are complete with a high pressure water swivel for maximum product delivery. The high pressure water swivel is designed to handle a broad range of pressures, temperatures and chemicals; perfect for agricultural/marine, equipment cleaning and pressure washing applications.

Heavy duty

Pressure up to 4500 PSI and up to 100 feet of hose

PW7650 OHP



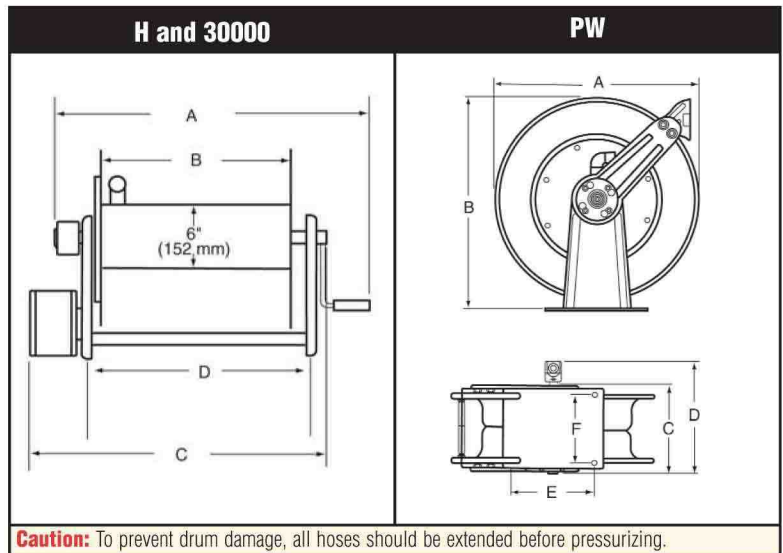
CA38106 M

APPLICATIONS

- Agricultural
- Marine
- Equipment cleaning
- Pressure washing
- Much more

Hand crank

Pressure up to 3000 PSI and up to 300 feet of hose



Caution: To prevent drum damage, all hoses should be extended before pressurizing.

Made in USA

CAPACITY				HOSE CAPACITY AND REEL DIMENSIONS							
	ft / m	ft / m	ft / m	WEIGHT	DIMENSIONS						
Hose I.D.	1/4 6	3/8 10	1/2 13		A	B	C	D	E	F	
Hose O.D.	.530 13	.688 17	.845 21	lbs / kg	in / mm	in / mm	in / mm	in / mm	in / mm	in / mm	
MODEL	LENGTH										
	ft / m	ft / m	ft / m								
SPRING DRIVEN - Pressure 4500 psi / 311 bar *hose included - Maximum Temperature 212°F (100°C); Maximum Temperature 400°F (200°C)											
NEW PW7600 OHP	—	50 15	—	46 21	19 483	20 1/4 514	7 178	7 178	7 7/8 200	3 7/8 98	
PW7650 OHP*	—	50 15	—	50 23	19 483	20 1/4 514	7 178	7 178	7 7/8 200	3 7/8 98	
CA PW81000 OHP	—	100 30	—	81 37	24 610	25 3/8 645	8 5/16 211	10 1/2 267	10 254	6 152	
HAND CRANK - Pressure 3000 psi / 207 bar; Maximum Temperature 400°F (200°C)											
H18006 M	150 46	100 30	—	34 15	18 457	14 356	—	5 1/2 140	7 3/4 197	—	
CA38106 M	200 61	140 43	100 30	44 20	19 483	6 152	—	9 3/4 248	9 229	—	
CA38112 M	425 130	300 91	200 61	49 22	25 635	12 305	—	15 3/4 400	9 229	—	
ELECTRIC MOTOR DRIVEN - Pressure 3000 psi / 207 bar; Maximum Temperature 400°F (200°C)											
EA38106 M12D	200 61	140 43	100 30	63 29	—	6 152	19 5/8 498	9 3/4 248	9 229	—	
EA38112 M12D	425 130	300 91	200 61	71 32	—	12 305	23 11/16 602	15 3/4 400	9 229	—	