

Large Frame Reels Nordic™ Series 3100 & 4800

Spring Driven Large Frame Reels Nordic™ Series 3100 & 4800

1/2", 3/4" or 1 1/2" Fluid Path for 1/2" through 1 1/2" I.D. Hose

Inlet: 1/2" up to 1" female/male NPT 90° swivel joint.

Gooseneck: 1/2" up to 1" female/male NPT. **Series 3100** reels handle hose from 1/4" through 1" I.D. **Series 4830** reels handle hose from 1/2" through 1" I.D. Inlet is 1/2" up to 1" female/male NPT 90° swivel joint. Gooseneck is 1/2" up to 1" female/male NPT. **Series 4800** reels handle hose from 1" through 1 1/2" I.D. 2" straight victaulic is standard. 1 1/2" male or female NPT straight swivel joint may be specified at no extra cost. Gooseneck is 1" to 1 1/2" female/male NPT.

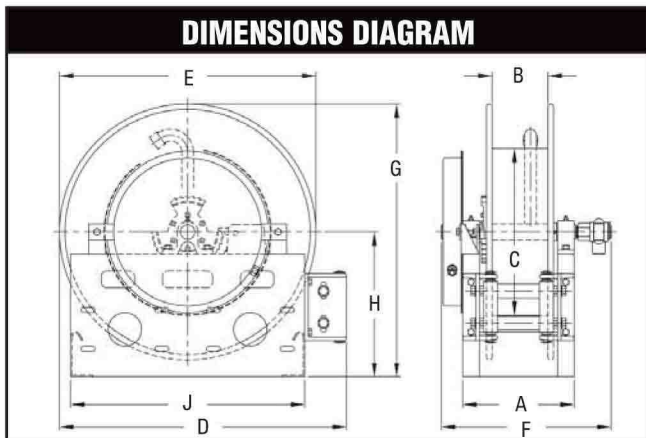
Roller position: You must specify roller position BW, SW or TW. If roller position is not specified, reels will be shipped with rollers in position BW. See page 12.

Hose stop: A hose stop should be used to prevent damage to rollers and nozzles and to permit adjustment of free hose length. See description on page 47. Hose stops are available at extra cost.

Twin hose models are available as standard.



Nordic
Series 4800



Series 3100 / 4830 product temperatures from -60° to +174° F and standard pressures to 1000 p.s.i. **Series 4800** product temperatures from -80° to +450°F at standard pressures to 300 p.s.i. Reels to operate at other temperatures or pressures can be furnished at extra cost. Consult manufacturer. The standard color for this series is red or gray.

Note: Other sizes and/or threads can be furnished for gooseneck when specified. Series 3101 reels use a stronger spring assembly for heavy duty applications.

Made in USA

HOSE I.D.		in	1/2	3/4	1	1 1/4	1 1/2	SPECIFICATIONS - HOSE CAPACITY AND REEL DIMENSIONS														
HOSE O.D.		in	7/8	1 9/32	1 9/16	1 13/16	2 1/16	*20" (508mm) dia drum on Model#4830-31-10 for 1/2" and 3/4" hose														
		mm	22	33	40	46	52	MODEL	HOSE LENGTH				Est. Weight	A	B	C	D	E	F	G	H	J
3101-19-4	ft	30	25	15				90 LB	in	9	4	11 1/4	21	19	15 1/2	22 1/2	13	25				
	m	9	8	5				41 KG	mm	229	102	286	533	483	394	572	330	635				
3101-23-4	ft	60	40	25				93 LB	in	9	4	11 1/4	21	23	15 1/2	24 1/2	13	26				
	m	18	12	8				42 KG	mm	229	102	286	533	584	394	622	330	660				
3101-23-6	ft	100	65	60				95 LB	in	11	6	11 1/4	21	23	17 1/2	24 1/2	13	26				
	m	30	20	18				43 KG	mm	279	152	286	533	584	445	622	330	660				
3101-23-8	ft	100	65	60				97 LB	in	13	8	11 1/4	21	23	19 1/2	24 1/2	13	26				
	m	30	20	18				44 KG	mm	330	203	286	533	584	495	622	330	660				
4830-31-5X	ft	75	75	65				122 LB	in	10 1/2	5 1/2	15	30	31	17	33	17 1/2	34 1/2				
	m	23	23	20				55 KG	mm	267	140	381	762	787	432	838	445	876				
4830-31-8	ft	80	80	90				125 LB	in	13	8	15	30	31	19 1/2	33	17 1/2	34 1/2				
	m	24	24	27				57 KG	mm	330	203	381	762	787	495	838	445	876				
4830-31-10	ft	*90	*100	100				128 LB	in	15	10	*15	30	31	21 1/2	33	17 1/2	34 1/2				
	m	*27	*30	30				58 KG	mm	381	254	*381	762	787	546	838	445	876				
4800-31-6	ft			70	50	40		122 LB	in	11 1/4	6	11 1/4	30	31	17	33	17 1/2	34 1/2				
	m			21	15	12		55 KG	mm	286	152	286	762	787	432	838	445	876				
4800-31-8	ft			75	75	50		125 LB	in	13 1/4	8	11 1/4	30	31	19	33	17 1/2	34 1/2				
	m			23	23	15		57 KG	mm	337	203	286	762	787	483	838	445	876				

Refer to page 26 to build a complete model number.

HoseReelSales.com
813-241-4900



REELCRAFT

Wind Things Up With Reelcraft™