

Series DP7000

Compact Dual Pedestal Series DP5000 and DP7000

Heavy Duty Spring Retractable Reels Air/Water/Oil/Grease - 1/4", 3/8", 1/2" I.D.

Reelcraft's new compact dual pedestal Series DP7000 and DP5000 features an innovative, non-welded, interlocking base. Independent testing to military standards has proven these reels stand up to heavy vibration and won't vibrate apart, which makes them especially strong and ideal for truck-mounted applications. Superbly engineered dual pedestal base and guide arm are structurally reinforced. All-steel construction and a baked-on powder coat finish combine to produce a rugged corrosion-resistant product suitable for a wide variety of heavy duty applications.

✓ **Superior corrosion-resistance**

A double adhesive gasket seals the spring case and steel parts are powder coated to provide excellent protection against weathering.

✓ **Ease of operation** The latch pawl is mounted on the guide arm to prevent latch out at full extension and the high impact, nylon-filled guide rollers make retraction and pay out nearly effortless.

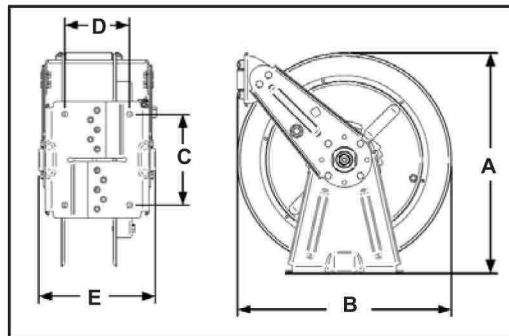
NEW!



DP7850 OLP
Patent Pending

Made in USA

✓ **Meets or exceeds military vibration for Truck Transport test**
MIL-STD-810F
500,000 mile equivalent



	DIMENSIONS									
	DP5435 DP5635 OLP		DP5635 OHP		DP7450 DP7650		DP5450 DP5650 DP5835		DP7850	
	in	mm	in	mm	in	mm	in	mm	in	mm
A	16 3/8	416	16 3/8	416	17	432	16 3/8	416	17	432
B	14 3/8	365	14 3/8	365	16 1/2	419	14 3/8	365	16 1/2	419
C	7	178	7	178	7	178	7	178	7	178
D	4	102	5	127	4	102	5	127	5	127
E	8	203	9	229	8	203	9	229	9	229

MODELS WITH HOSE			HOSE CAPACITY					MODELS WITHOUT HOSE		
MODEL	WEIGHT	PRESSURE	I.D.	O.D.	(M)NPTF OUTLET	(F)NPTF INLET	LENGTH	MODEL	WEIGHT	PRESSURE
	lbs / kg	psi / bar	in / mm	in / mm	in	in	ft / m		lbs / kg	psi / bar
LOW PRESSURE AIR/WATER REELS Maximum Temperature 150° F (65° C) w/hose / 210° F (99° C) w/o hose										
DP5435 OLP	32 15	300 21	1/4 6	.500 13	1/4	1/2	35 11	DP5400 OLP	29 13	500 35
DP5450 OLP	35 16	300 21	1/4 6	.500 13	1/4	1/2	50 15	DP5400 OLP	29 13	500 35
DP7450 OLP	46 21	300 21	1/4 6	.500 13	1/4	1/2	50 15	DP7400 OLP	42 19	500 35
DP5635 OLP	34 15	300 21	3/8 10	.688 17	1/4	1/2	35 11	DP5600 OLP	29 13	500 35
DP5650 OLP	36 16	300 21	3/8 10	.688 17	1/4	1/2	50 15	DP5600 OLP	29 13	500 35
DP7650 OLP	47 21	300 21	3/8 10	.688 18	1/4	1/2	50 15	DP7600 OLP	42 19	500 35
DP5835 OLP	40 18	300 21	1/2 13	.844 21	3/8	1/2	35 11	DP5800 OLP	32 15	500 35
DP7850 OLP	50 23	300 21	1/2 13	.844 21	3/8	1/2	50 15	DP7800 OLP	43 20	500 35
MEDIUM PRESSURE OIL REELS Maximum Temperature 210° F (99° C)										
DP7650 OMP	55 25	2250 155	3/8 10	.690 18	3/8	1/2	50 15	DP7600 OMP	45 21	3000 207
DP5835 OMP	43 20	2000 138	1/2 13	.815 21	1/2	1/2	35 11	DP5800 OMP	33 15	3000 207
DP7850 OMP	57 26	2000 138	1/2 13	.815 21	1/2	1/2	50 15	DP7800 OMP	42 19	3000 207
HIGH PRESSURE GREASE REELS Maximum Temperature 210° F (99° C)										
DP7450 OHP	57 26	5000 345	1/4 6	.590 15	1/4	1/2	50 15	DP7400 OHP	43 20	5000 345
DP5635 OHP	43 20	4000 276	3/8 10	.750 19	1/4	1/2	35 11	DP5600 OHP	33 15	5000 345
DP7650 OHP	60 27	4000 276	3/8 10	.750 19	1/4	1/2	50 15	DP7600 OHP	46 21	5000 345

Low pressure reels furnished standard with PVC hose. Medium pressure reels furnished standard with S.A.E. 100 R1T one wire braid hose. High pressure reels furnished standard with S.A.E. 100 R2T Two wire braid hose, suitable for grease applications only.

HoseReelSales.com
813-241-4900



Wind Things Up With Reelcraft™